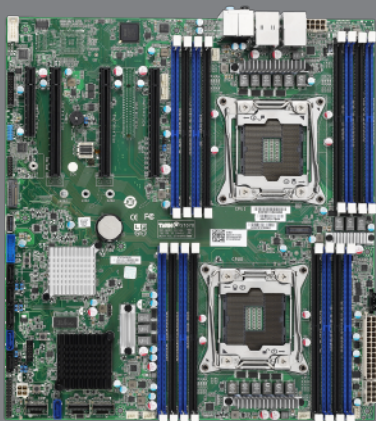
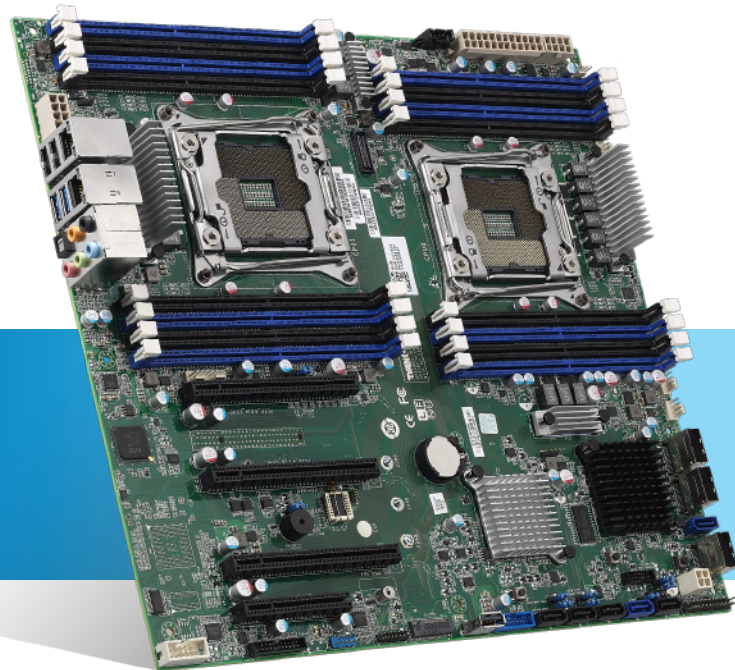


DUAL-SOCKET SERVER / WS PLATFORM

S7070

S7070WGM2NR / S7070WA2NR
S7070A2NR / S7070GM2NR



■ Intel® C612 Chipset

Dual-socket server/workstation implementation for mainstream applications

- Dual LGA2011 socket supports (2) E5-2600 v3/v4 series processors
- Intel® C612
- (8+8) 284-pin DDR4 DIMM slots RDIMM 2400/2133/1600; LRDIMM/LRDIMM 3DS 2400/1866
 - * Up to 2400 speed support only w/E5-2600 v4
- Support up to 512GB RDIMM/1,024GB LRDIMM/2,048GB LDRIMM 3DS
 - * Follow latest Intel® DDR4 Memory POR
- (3) PCI-E Gen3 x16 slots
- (1) PCI-E Gen3 x8 slots
- (8) SATA/SAS ports by (2) mini-SAS connectors running at 6.0Gb/s w/ RAID 0, 1, 1E, 10 support (-W SKU)
- (6) SATA-III + (4) SATA ports by (1) mini-SAS connector running at 6.0 Gb/s w/ RAID 0, 1, 10, 5 support
- Realtek ALC892GR audio CODEC (-A SKU)
- (2) GbE LAN (via Intel® I350-AM2)
- ◆ SSI EEB (12" x 13") form factor

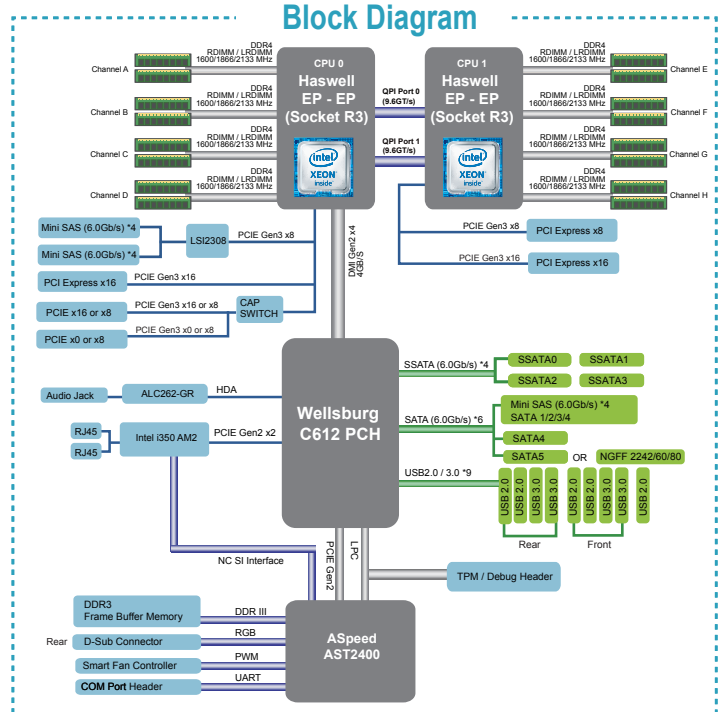


S7070

S7070WGM2NR / S7070WA2NR / S7070A2NR
S7070GM2NR

TYAN Specifications

Processor	Supported CPU Series	Intel® Xeon® Processor E5-2600 v3/v4 series processors
	Socket Type / Q'ty	LGA2011 / (2)
	Thermal Design Power (TDP) wattage	Max up to 160W
Chipset	PCH / PCI-E Switch	Intel® C612
	Super I/O	-
Memory	Supported DIMM Qty	(8+8) DIMM sockets
	DIMM Type / Speed	RDIMM DDR4 2400/2133/1600 / LRDIMM DDR4 2400/1866 / LRDIMM 3DS DDR4 2400/1866 (*Up to 2400 speed support only w/E5-2600 v4)
	Capacity	Up to 512GB RDIMM/1,024GB LRDIMM/2,048GB LDRIMM 3DS (*Follow latest Intel® DDR4 Memory POR)
	Memory channel	4 Channels per CPU
	Memory voltage	1.2V
	Expansion Slots	PCI-E
LAN	Port Q'ty	(2) GbE ports (1 port shared with IPMI) (-MSKU)
	Controller	Intel® I350-AM2
	SAS	Connector: (2) Mini-SAS connectors (totally support 8 ports) (-WSKU) Controller: LSI SAS2308 Speed: 6.0 Gb/s RAID: RAID 0/1/1E/10 (LSI Integrated RAID)
Storage	SATA	Connector: (6) SATA-III + (4) SATA ports by (1) mini-SAS connector Controller: Intel® C612 Speed: 6.0 Gb/s RAID: RAID 0/1/10/5 (Intel RST)
	Graphic	Connector type: D-Sub 15-pin Resolution: Up to 1920 x 1200 Chipset: Aspeed AST2400
	Audio	Chipset: Realtek ALC892GR audio CODEC (-A SKU)
Input /Output	USB	(4) USB3.0 ports (2 at rear, 2 via cable) / (5) USB2.0 ports (1 stack-up ports, 1 type A header, 2 via cable)
	COM	(1) header
	Audio	LINE_IN, LINE_OUT, MIC_IN, SURROUND OUT, CEN/LFE OUT, SPDIF OUT (-A SKU)
	VGA	(1) D-Sub 15-pin VGA port (-G SKU)
	DVI	-
	Power	SSI 24-pin + 8-pin + 8-pin power connectors
	RJ-45	(2) GbE ports
	PSMI	(1) 1x5-pin header
	Front Panel	(1) 2x12-pin SSI front panel header
	SATA	(6) SATA-III + (4) SATA ports by (1) mini-SAS connector
System Monitoring	Chipset	Aspeed AST2400 (-M SKU) NCT7904D
	Voltage	Monitors voltage for CPU, memory, chipset & power supply



System Monitoring	Fan	Total (7) 4-pin headers/ (1) 2 x 10-pin headers
	Temperature	Monitors temperature for CPU & system environment (-M SKU) Monitors temperature for CPU & memory environment
	LED	Over temperature warning indicator / Fan & PSU fail LED indicator
	Others	Watchdog timer support
BIOS	Onboard Chipset	Onboard Aspeed AST2400
	AST2400 IPMI Feature	IPMI 2.0 compliant baseboard management controller (BMC) / Supports storage over IP and remote platform-flash / USB 2.0 virtual hub
	AST2400 iKVM Feature	24-bit high quality video compression / 10/100 Mb/s MAC interface
Form Factor	Brand / ROM size	AMI / 16MB
	Feature	User-configurable H/W monitoring / SMBIOS 2.7/PnP/Wake on LAN / PXE boot support / ACPI 3.0/ACPI sleeping states S4,S5
Operating System	Form Factor	SSI EEB
	Board Dimension	12"x13" (305x330mm)
Regulation	OS supported list	Please refer to our Intel OS supported list.
	FCC (DoC)	Class A
Operating Environment	CE (DoC)	Yes
	Operating Temp.	10° C ~ 35° C (50° F~ 95° F)
	Non-operating Temp.	-40° C ~ 70° C (-40° F ~ 158° F)
RoHS	In/Non-operating Humidity	90%, non-condensing at 35° C Non-operating Relative Humidity: 10% to 95% (non-condensing)
	RoHS 6/6 Compliant	Yes

(Specifications are subject to change without notice. Items pictured may only be representative.)

MITAC COMPUTING TECHNOLOGY CORP.
TYAN Business Unit

USA
Tel: +1-510-651-8868
Fax: +1-510-651-7688

Taiwan
Tel: +886-2-2652-5888
Fax: +886-2-2652-5805

Japan
Tel: +81-3-3769-8311
Fax: +81-3-3769-8328

China
Shanghai Tel: +86-21-61431188 Ext 1366
China Tel: +86-010-62555015 Ext 8302